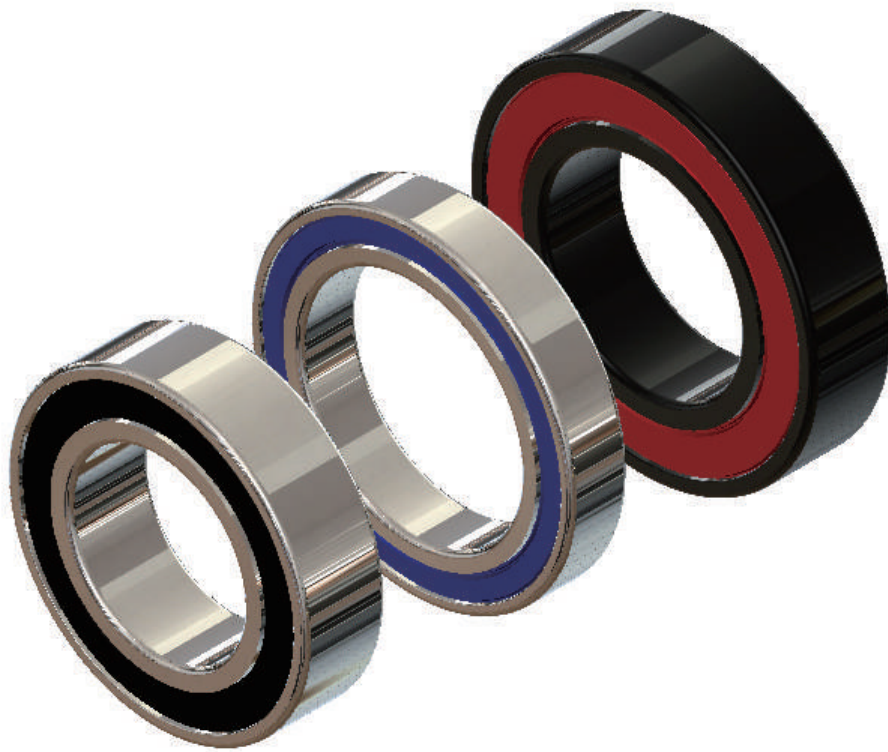


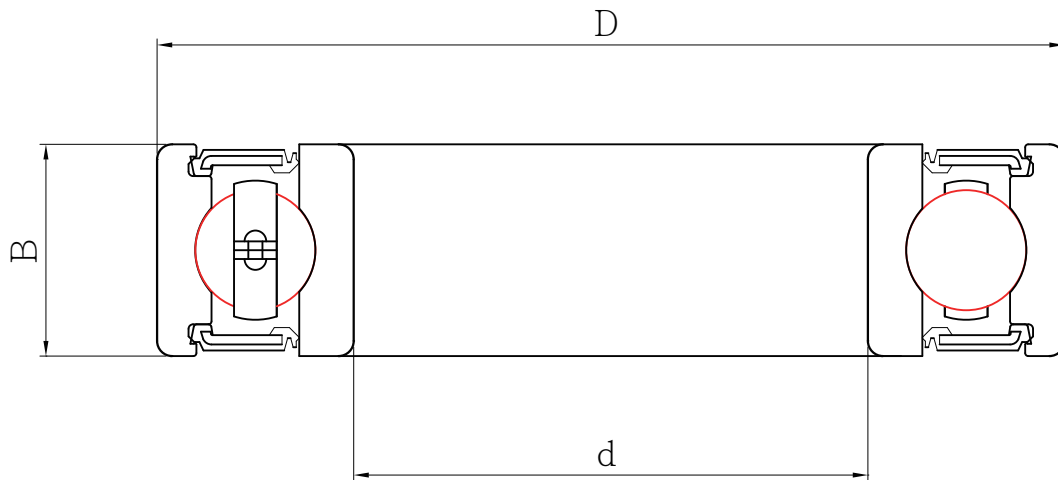


Bottom Bracket Bearings

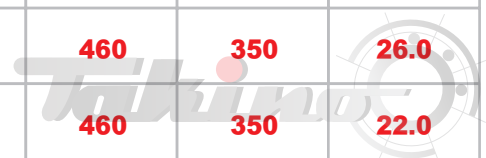
High strength and toughness SUJ2 chrome-molybdenum alloy steel
Internal Clearance ABEC-3
Provide customized services for different bike models



Sizing Chart



Bearing No	Size (mm)				Load Rating (kgf)		Weight (g)
	Bore Dia(d)	Outer Dia (D)	Width(B)	Chamfer(r)	Dynamic (Cr)	Static (Cor)	
163110-2RS	16	31	10	0.5	489	230	25.8
173110-2RS	16	31	10	0.5	463	213	25.4
19317-2RS	19.05	31	7	0.5	344	208	22.6
19379-2RS	19.05	37	9	0.5	450	225	36.7
22379-2RS	22.05	37	9	0.5	450	225	32.0
R12-2RS	19.05	41.275	11.113	0.5	480	245	61.2
R12-2RS/22	22	41.275	11.113	0.5	480	245	54.0
215317-2RS	21.5	31	7	0.3	266	177	14.0
24377-2RS	24	37	7	0.5	391	284	19.0
24378-2RS	24	37	8	0.5	391	284	23.2
6805-2RS	25	37	7	0.3	440	300	22.0
25376-RS	25	37	6	0.3	440	300	15.8
6806-2RS	30	42	7	0.3	460	350	26.0
30426-2RS	30	42	6	0.3	460	350	22.0

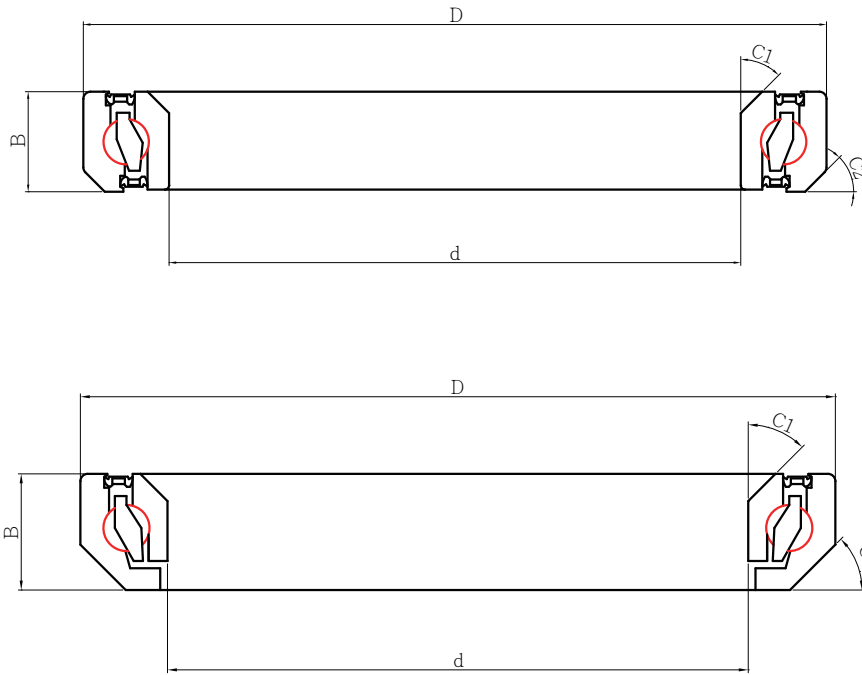


Heat Set Bearings

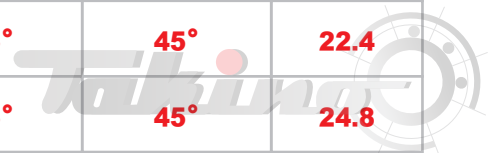
High strength and toughness SUJ2 chrome-molybdenum alloy steel
Provide customized services for different bike models



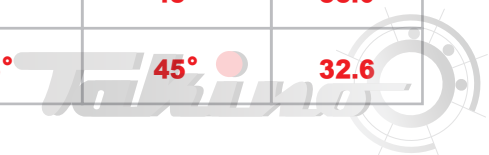
Sizing Chart



Bearing No	Size (mm)					Weight (g)
	Bore Dia(d)	Outer Dia (D)	Width(B)	Angle(C1)	Angle(C2)	
ACB38H6.3	27.15	38.0	6.3	45°	45°	19.0
ACB38H6.5K	27.15	38.0	6.5	36°	45°	18.2
ACB39H6.5	30.15	39.0	6.5	45°	45°	15.7
ACB41H6.3	30.15	41.0	6.3	45°	45°	19.0
ACB41H6.5	30.15	41.0	6.5	45°	45°	19.2
ACB41H6.5K	30.15	41.0	6.5	36°	45°	19.6
ACB41H7	30.15	41.0	7.0	45°	45°	20.2
ACB41H7.7K	30.15	41.0	7.7	36°	45°	21.4
ACB41H6.5KK	30.15	41.5	6.5	36°	36°	19.8
ACB418H6.3	30.20	41.8	6.3	45°	45°	21.3
ACB418H6.5	30.15	41.8	6.5	45°	45°	21.8
ACB418H7	30.15	41.8	7.0	45°	45°	22.6
ACB418H7.7	30.50	41.8	7.7	45°	45°	22.4
ACB418H8	30.50	41.8	8.0	45°	45°	24.8



Bearing No	Size (mm)					Weight
	Bore Dia(d)	Outer Dia (D)	Width(B)	Angle(C1)	Angle(C2)	(g)
ACB418H8F	30.50	41.8	8.0	45°	45°	23.0
ACB43H7.2	30.20	43.0	7.2	45°	45°	23.2
ACB438H6.5	33.05	43.8	6.5	30°	45°	23.8
ACB438H7	33.05	43.8	7.0	30°	45°	22.7
ACB44H6.3	31.40	44.0	6.3	45°	45°	30.2
ACB44H8	30.05	44.0	8.0	45°	45°	31.5
ACB447H7	30.20	44.7	7.0	45°	45°	32.2
ACB448H6.3	31.40	44.8	6.3	45°	45°	32.6
ACB448H7.9	30.20	44.8	7.9	45°	45°	33.4
ACB45H7	33.50	45.0	7.0	45°	45°	26.2
ACB453H7.3	35.00	45.35	7.3	45°	45°	22.3
ACB458H6.5	36.80	45.8	6.5	45°	45°	18.9
ACB46H7	34.10	46.0	7.0	45°	45°	25.0
ACB468H7	34.10	46.8	7.0	45°	45°	27.7
ACB469H7	34.10	46.9	7.0	45°	45°	28.0
ACB47H8	35.00	47.0	8.0	45°	45°	29.9
ACB489H6.5K	37.00	48.9	6.5	36°	45°	25.9
ACB49H7	37.00	49.0	7.0	45°	45°	28.8
ACB49H7K	37.00	49.0	7.0	36°	45°	28.1
ACB495H6.5	40.50	49.5	6.5	45°	45°	21.4
ACB51H6.5KK	40.00	51.0	6.5	36°	36°	24.8
ACB508H7C	40.00	50.8	7.0	45°	90°	26.8
ACB51H8	40.00	51.0	8.0	45°	45°	29.3
ACB518H7	40.00	51.8	7.0	45°	45°	30.8
ACB518H7.5K	40.00	51.8	7.5	36°	45°	33.0
ACB518H8K	40.00	51.8	8.0	36°	45°	32.6



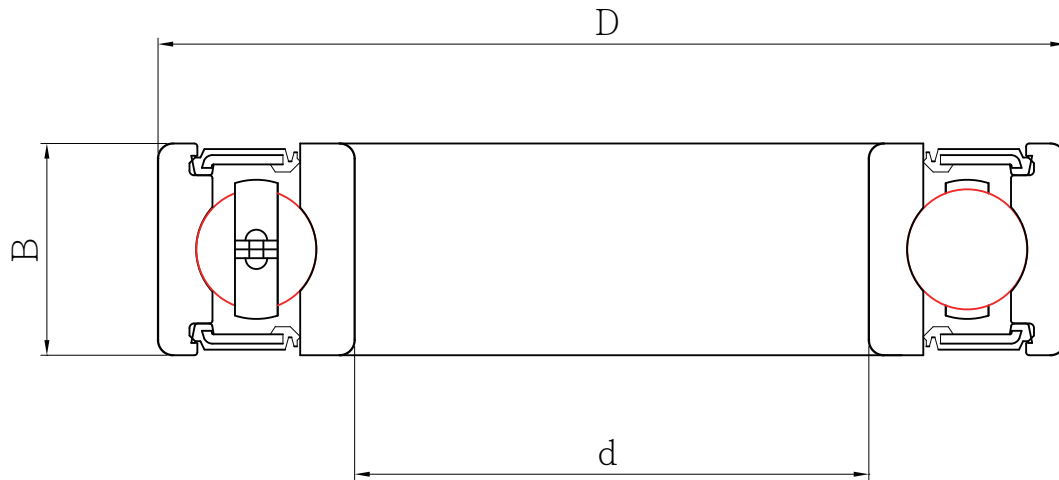
Bearing No	Size (mm)					Weight
	Bore Dia(d)	Outer Dia (D)	Width(B)	Angle(C1)	Angle(C2)	(g)
ACB518H8	40.00	51.8	8.0	45°	45°	33.1
ACB519H7	40.00	51.9	7.0	45°	45°	29.6
ACB519H8	40.00	51.9	8.0	45°	45°	32.6
ACB52H6.5K	40.00	52.0	6.5	36°	45°	29.2
ACB52H7	40.00	52.0	7.0	45°	45°	31.5
ACB52H7.5	40.00	52.0	7.5	45°	45°	34.2
ACB52H8A	40.00	52.0	8.0	45°	45°	36.0

Hub Bearings

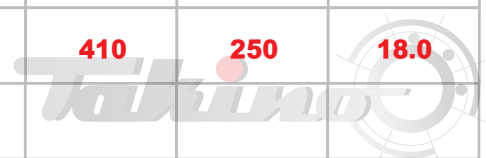
High strength and toughness SUJ2 chrome-molybdenum alloy steel
Internal Clearance ABEC-3
Provide customized services for different bike models



Sizing Chart



Bearing No	Size (mm)				Load Rating (kgf)		Weight
	Bore Dia(d)	Outer Dia (D)	Width(B)	Chamfer(r)	Dynamic (Cr)	Static (Cor)	(g)
6800-2RS	10	19	5	0.3	175	86	5.0
6900-2RS	10	22	6	0.3	275	130	10.0
6000-2RS	10	26	8	0.3	465	200	19.0
6801-2RS	12	21	5	0.5	195	105	6.0
6901-2RS	12	24	6	0.3	295	150	11.0
12267-2RS	12	26	7	0.3	305	158	15.1
6001-2RS	12	28	8	0.3	520	245	22.0
6802-2RS	15	24	5	0.3	210	130	7.0
15267-2RS	15	26	7	0.3	312	169	12.4
6902-2RS	15	28	7	0.3	440	230	17.0
6803-2RS	17	26	5	0.3	265	160	8.0
17287-RS	17	28	7	0.3	273	190	13.1
6903-2RS	17	30	7	0.3	470	260	18.0
6804-2RS	20	32	7	0.3	410	250	18.0

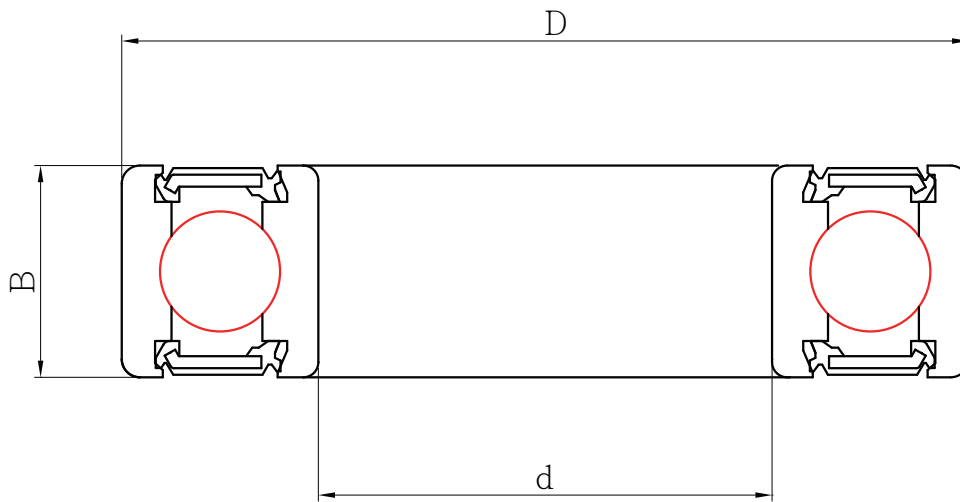


Suspension MAX Bearings

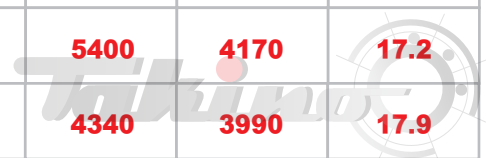
- High strength and toughness SUJ2 chrome-molybdenum alloy steel**
- Provide good shock absorbing function for various shock absorber frames.**
- Internal Clearance ABEC-3**
- Provide customized services for different bike models**



Sizing Chart



Bearing No	Size (mm)				Load Rating (kgf)		Weight
	Bore Dia(d)	Outer Dia (D)	Width(B)	Ball	Dynamic (Cr)	Static (Cor)	(g)
688-2RS MAX	8	16	5	19	1630	1130	3.8
608-2RS MAX	8	22	7	11	4010	2140	10.3
698-2RS MAX	8	19	6	13	2880	1720	7.1
689-2RS MAX	9	17	5	17	2080	1380	4.6
699-2RS MAX	9	20	6	14	3050	1910	7.7
6800-2RS MAX	10	19	5	18	2150	1510	5.0
6900-2RS MAX	10	22	6	15	3210	2120	9.2
6801-2RS MAX	12	21	5	21	2350	1830	6.1
6901-2RS MAX	12	24	6	17	3480	2490	6.0
6001-2RS MAX	12	28	8	13	6370	3620	19.6
6802-2RS MAX	15	24	5	25	2580	2240	6.8
6902-2RS MAX	15	28	7	16	5010	3600	15.8
6803-2RS MAX	17	26	5	27	2740	2550	8.2
6903-2RS MAX	17	30	7	18	5400	4170	17.2
6804-2RS MAX	20	32	7	25	4340	3990	17.9



Bearing No					Load Rating (kgf)		Weight
	Bore Dia(d)	Outer Dia (D)	Width(B)	Ball	Dynamic (Cr)	Static (Cor)	(g)
6904-2RS MAX	20	37	9	18	7490	6030	37.5
6805-2RS MAX	25	37	7	30	4730	4780	21.7
6905-2RS MAX	25	42	9	21	8180	7310	43.8
6806-2RS MAX	30	42	7	35	5080	5810	25.8